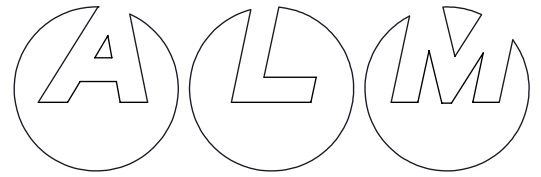


Step

SURFACE

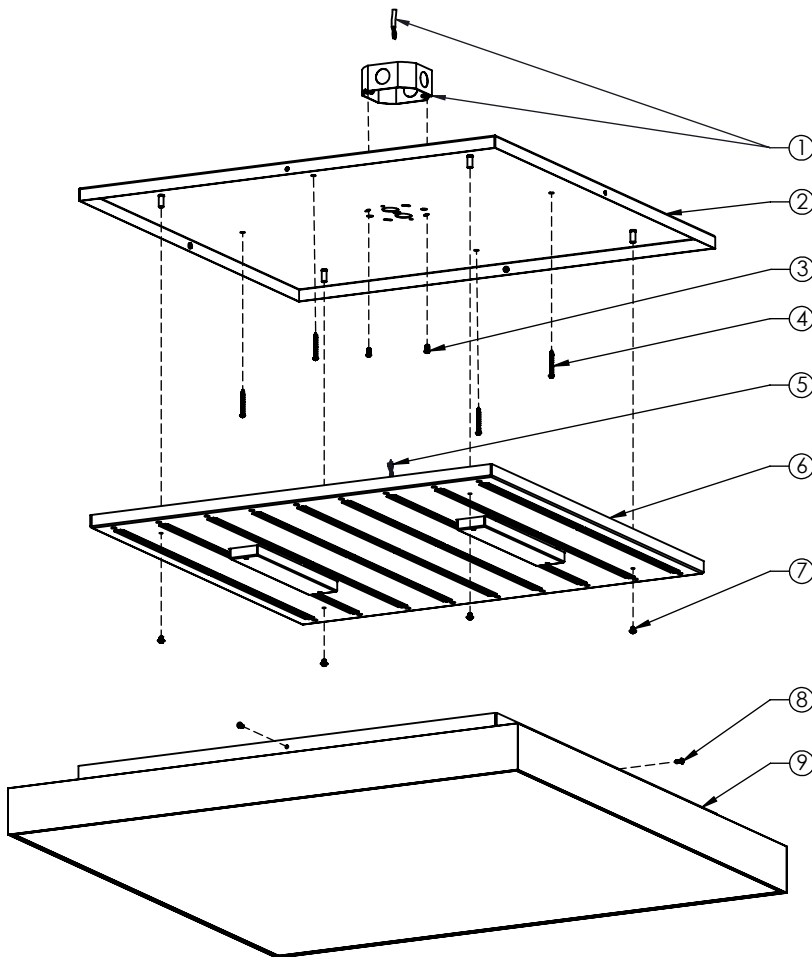
INSTALLATION INSTRUCTIONS



NOTE - Remote driver:
- If required, installed by others
- Connect wires accordingly

NOTE:
There are additional holes in the mounting panel for secure installation (mounting hardware provided)

1	4" Octagon box and power feed (by others)
2	Mounting panel
3	Mounting screws to octagon box 8-32 x 3/4" long, round head (by others)
4	Mounting hardware (provided)
5	Fixture power wires
6	Light body assembly
7	Light body assembly mounting screws
8	Fixture housing mounting screws
9	Fixture housing



INSTRUCTIONS:

1. Unscrew fixture housing mounting screws and remove fixture housing.
2. Unscrew light body assembly mounting screws and remove light body assembly from the mounting panel.
3. Bring the electrical power feed through the hole in mounting panel, secure mounting panel to the octagon box (screws by others) and to the ceiling / wall using mounting hardware provided. If octagon box is not available, secure mounting panel to the ceiling / wall using additional mounting hardware provided.
4. Splice the fixture power wires and power feed as required and secure light body assembly back into place.
Wires for connection are clearly labeled.
5. Mount fixture housing back into place.
6. Energize.

GENERAL NOTE:

- * Turn power off before beginning.
- * Do not connect to an ungrounded supply.
- * Consult a qualified electrician to ensure correct branch circuit conductor.
- * This product must be installed in accordance with the applicable installation code by a person familiar with the construction and operation of the product and the hazards involved.
- * Save these instructions.